

FRONT MOUNT

SINGLE ACTING HYDRAULIC TELESCOPIC CYLINDER

STANDARD RANGE

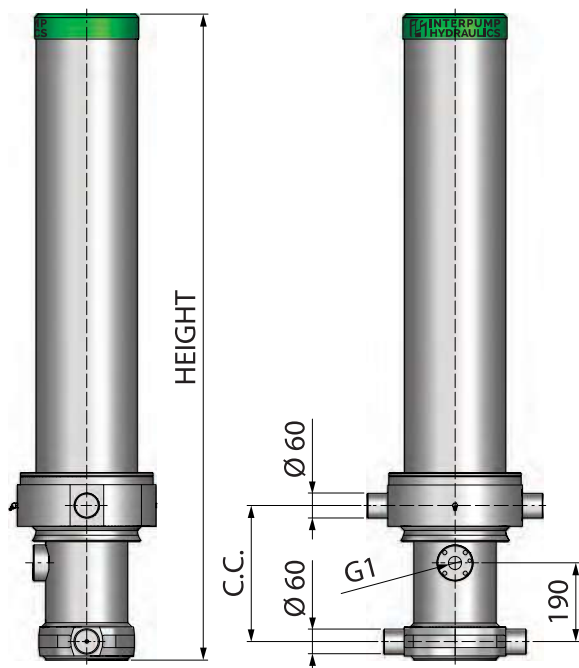
Value Element	Value Defined
Endurance	Augmented Cylinder Longevity
Payload	More Weight per Load
Tipping Time	More Loads per Day
Service Intervals	Increased Vehicle Working Time

Features	Benefits
Superior Quality Steel	Durability and Strength
Dimensions	Improved Strength
Final Stage Chroming	Corrosion Free with Superior Seal Life
Reduced Weight	Greater Payload
Reduced Oil Volume	Increased Tipping Time and Reduced Oil Cost
Reduced Maintenance	No need of Air Bleeding
Superior Sealing	No Oil Leakage in any climate
Easy bottom access	Faster re-pack



FRONT MOUNT

SINGLE ACTING HYDRAULIC TELESCOPIC CYLINDER



REPAIR KIT

DIAM	EXTENSION N.	GUIDES KIT	SEALS KIT
116	3	K141001163003	K241001163004
116	4	K141001164002	K241001164004
135	3	K141001353005	K241001353003
135	4	K141001354007	K241001354005
154	3	K141001543002	K241001543002
154	4	K141001544004	K241001544003
154	5	K141001545005	K241001545004
174	4	K141001744002	K241001744002
174	5	K141001745002	K241001745003
174	6	K141001746005	K241001746005
196	5	K141001965002	K241001965002
196	6	K141001966002	K241001966002

MODEL - STROKE DIA - EXT.No.	PART NUMBER	HEIGHT [mm]	C.C. [mm]	WEIGHT [kg]
HPFC3820 116 3	4C14701163003	1622	324	165
HPFC3490 135 3	4C13601353002	1480	327	180
HPFC3820 135 3	4C14701353002	1626	328	190
HPFC4270 135 3	4C16801353001	1796	327	210
HPFC3450 135 4	4C10551354002	1181	332	160
HPFC4150 135 4	4C12351354002	1356	332	180
HPFC4650 135 4	4C13601354001	1480	327	190
HPFC4930 135 4	4C14301354003	1551	339	200
HPFC3800 154 3	4C14701543001	1630	330	255
HPFC4010 154 4	4C12101544001	1326	341	226
HPFC4500 154 4	4C13101544002	1449	329	245
HPFC4640 154 4	4C13601544001	1484	332	250
HPFC4930 154 4	4C14301544001	1555	337	260
HPFC5010 154 4	4C14701544001	1630	330	270
HPFC5390 154 4	4C16001544001	1726	339	285
HPFC5690 154 4	4C16801544002	1800	332	295
HPFC4580 154 5	4C11151545001	1241	335	230
HPFC5460 154 5	4C12801545002	1416	316	258
HPFC6160 154 5	4C14301545001	1556	338	286
HPFC7110 154 5	4C16801545001	1801	332	320
HPFC4490 174 4	4C13101744001	1455	335	305
HPFC4630 174 4	4C13601744001	1490	341	305
HPFC6190 174 4	4C18001744001	1936	331	390
HPFC5450 174 5	4C12801745004	1491	342	315
HPFC5620 174 5	4C13101745001	1455	335	315
HPFC5800 174 5	4C13601745001	1491	342	320
HPFC6150 174 5	4C14301745002	1562	329	335
HPFC6730 174 5	4C16001745002	1733	339	365
HPFC7100 174 5	4C16801745002	1807	339	380
HPFC7350 174 5	4C17301745001	1856	340	395
HPFC7750 174 5	4C18001745002	1937	332	405
HPFC8100 174 5	4C18801745001	2007	318	420
HPFC9030 174 5	4C20601745001	2212	338	455
HPFC7380 174 6	4C14301746002	1562	329	355
HPFC5780 196 5	4C13601965001	1504	333	390
HPFC6230 196 5	4C14701965002	1650	338	423
HPFC6710 196 5	4C16001965003	1746	343	445
HPFC7080 196 5	4C16801965001	1820	325	460
HPFC6740 196 6	4C13101966001	1470	343	395